



**JOINT OR BOX?  
CHOOSE BABY BOX!**



**Electrical performance:**

- CEI EN 50393 as applicable
- Class 2 in accordance with CEI 64-8.

**Gel:** UL 94-HB c

**Installation temperature:**  
-40°C / +50°C

**Working temperature:** 90°

**Gel operating temperature:**  
-60°C / +200°C

**Fully submersible**

**Can be used underground**

**Halogen-free Gel**

**UV resistant**

**Self-extinguishing and resistant to abnormal heat and fire:**  
Glow Wire Flammability Index at +960° C according to EN60695-2-12

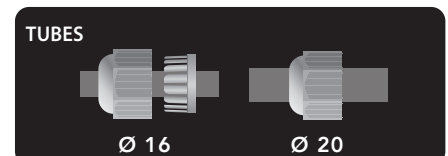
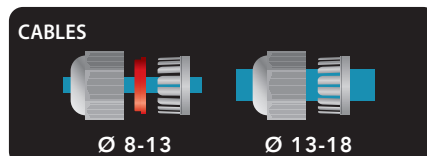
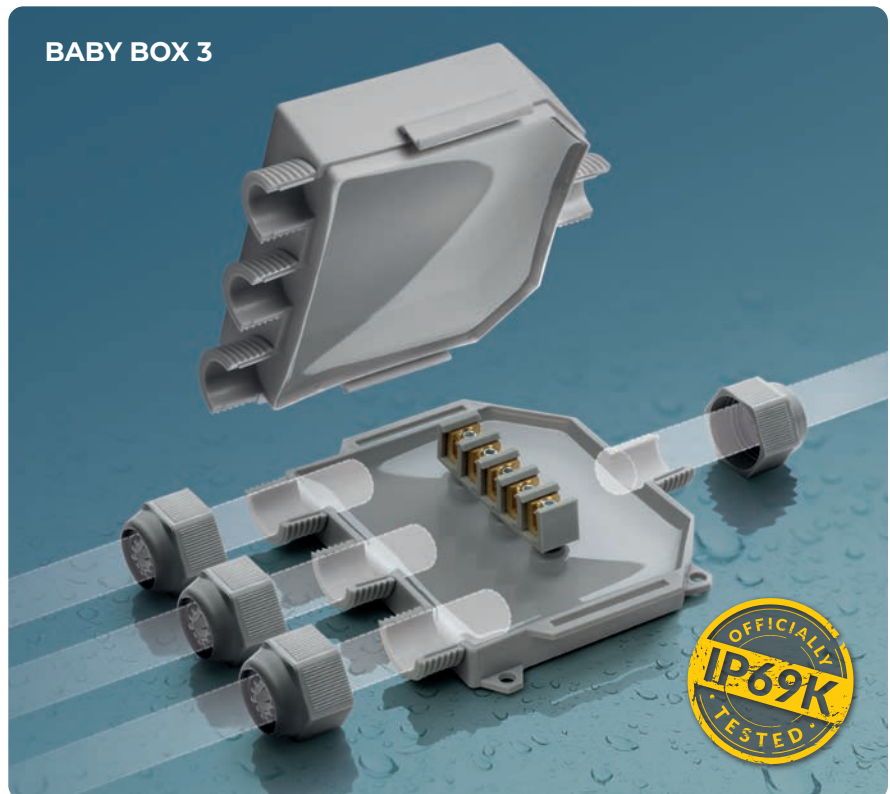
# BABY BOX

Pre-filled boxes (1 to 2) – (1 to 3) with integrated terminal block and clamping nuts.

BABY BOX is the range of ready to use boxes/junction boxes, complete with terminal block and a kit of components that allow its use with cables from 8 to 18 mm in diameter and ducts from 16 to 20 mm in diameter. Nothing to pour and no waiting times as it is already pre-filled with a non-toxic gel, not classified as dangerous and with no shelf life, which insulates and seals the connection thoroughly and gives to the range the maximum of reliability; the accessory is ideal for underground, submerged or aerial installations. BABY BOX, 3-entrances box with three-pole terminal block and BABY BOX 3, 4-entrances box with five-pole terminal block, are available in grey or black, they are very simple to install and equipped with external holes for wall fixing.

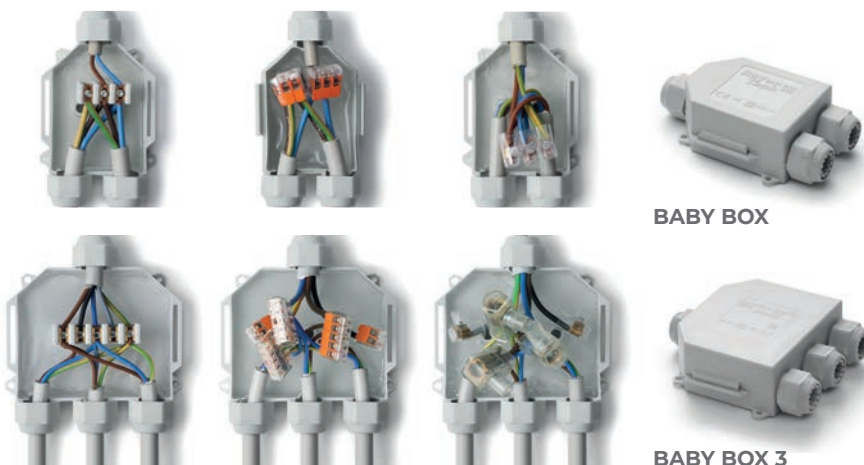
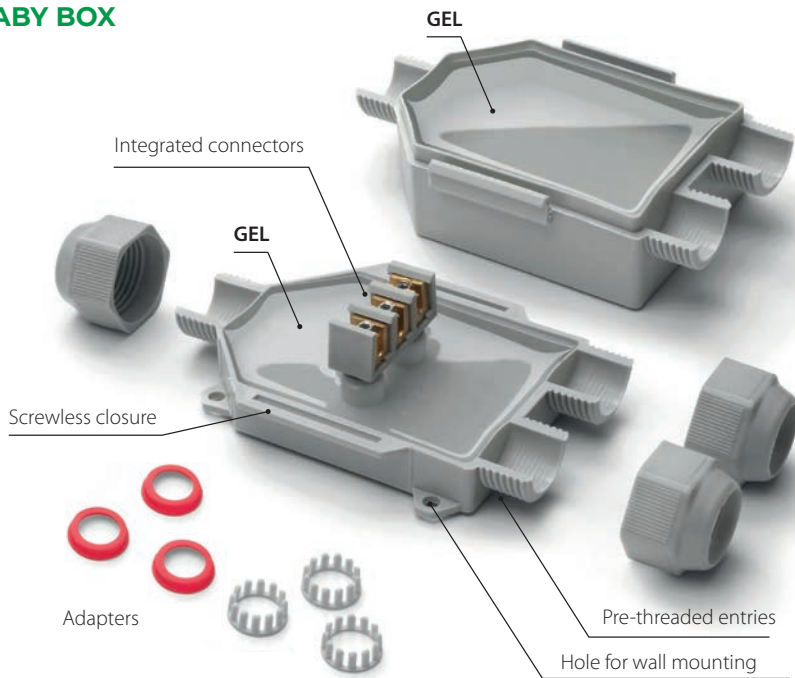
## ADVANTAGES

- ▶ Pre-filled with a gel that is not-classified as hazardous under the CLP Directive.
- ▶ Ready to use.
- ▶ Also suitable for wet or flooded environments.
- ▶ Always re-enterable.
- ▶ Wall or external ceiling fixing system.
- ▶ Click and hook closure, does not require screws.
- ▶ No shelf life.



**IP68** OFFICIALLY TESTED | **IMQ** | **IP69K** OFFICIALLY TESTED



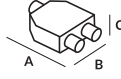
**BABY BOX**



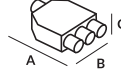


With integrated connectors.

Also suitable for extra-flat lever connectors.

Also suitable for screw terminals.

PRODUCT / Item	Colour		 Connectors	Cables Ø min - max (mm)	Tubes Ø (mm)	 (mm)
<b>BABY BOX</b> BABYBOX	●		3	8 - 18	16 / 20	90 x 80 x 47
<b>BABY BOX - N</b> BABYBOX-N	●		3x Max 12 mm <sup>2</sup>			

PRODUCT / Item	Colour		 Connectors	Cables Ø min - max (mm)	Tubes Ø (mm)	 (mm)
<b>BABY BOX 3</b> BABYBOX3	●		4	8 - 18	16 / 20	95 x 110 x 43
<b>BABY BOX 3 - N</b> BABYBOX3-N	●		5x Max 12 mm <sup>2</sup>			

